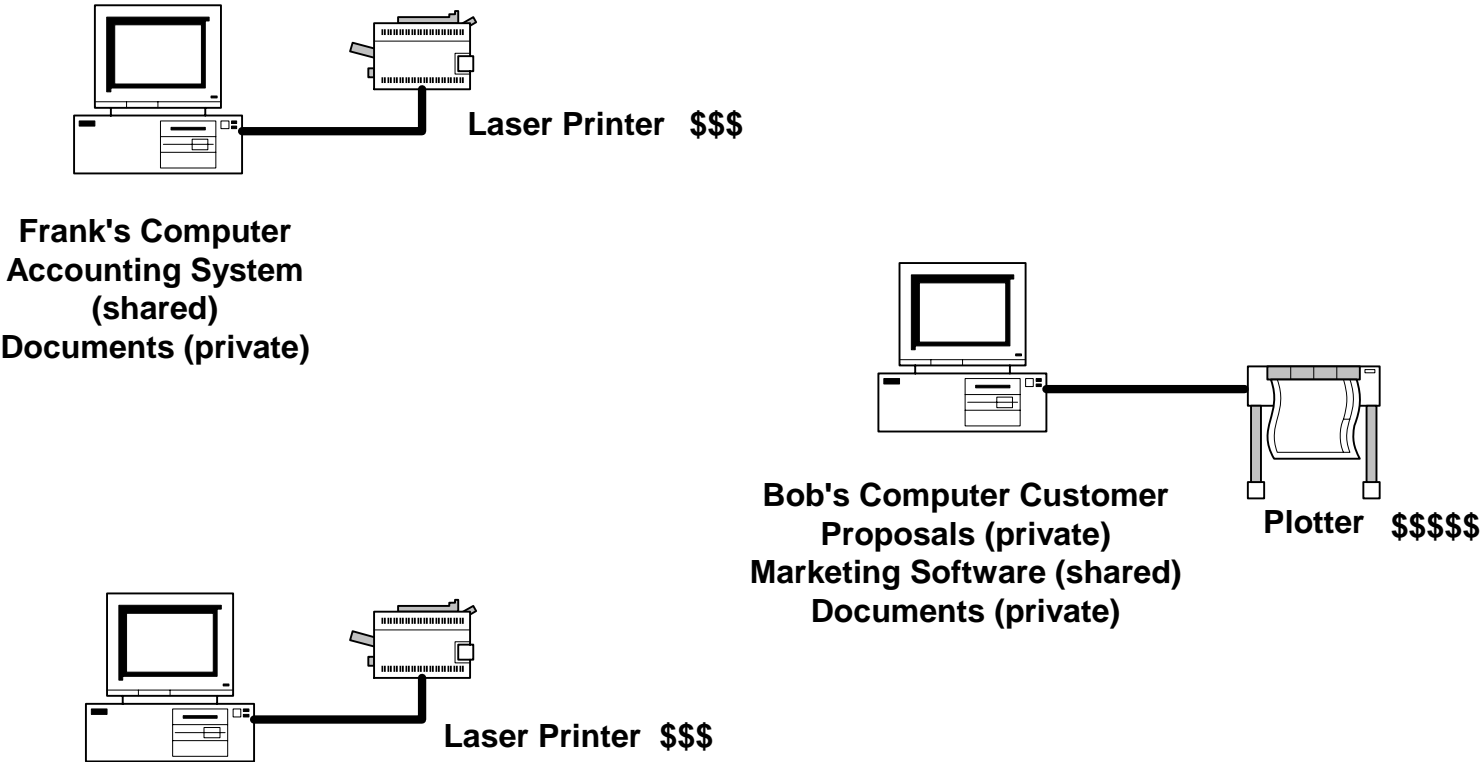


Simple Stand-Alone WorkGroup using "Sneaker-net"

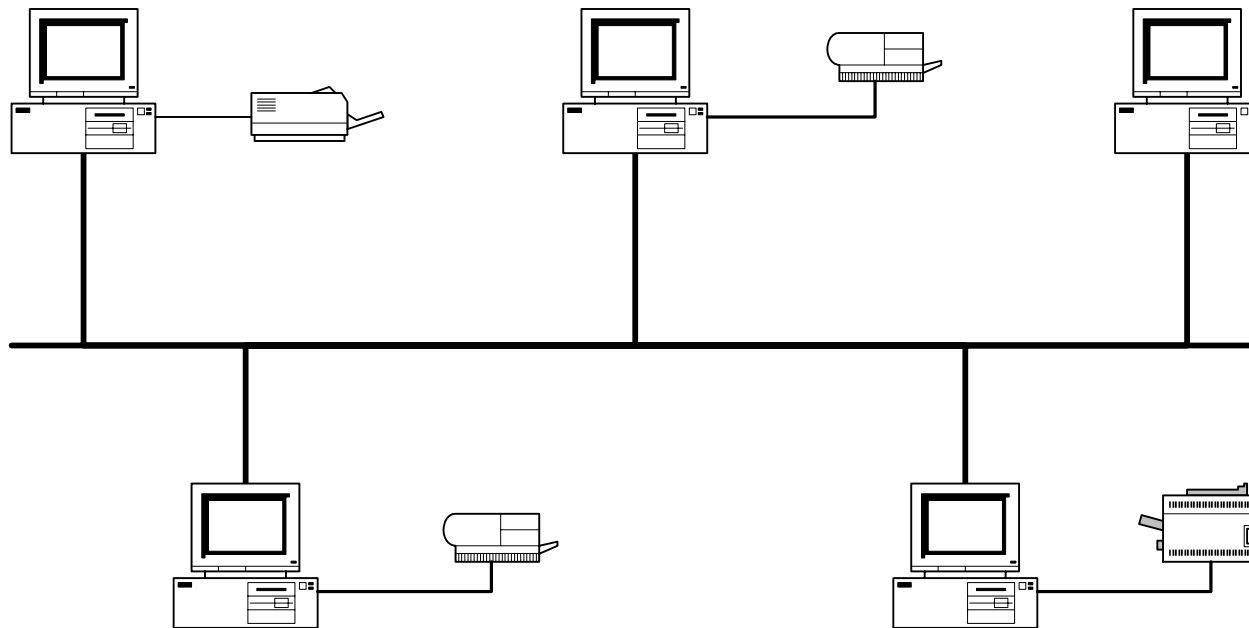


Peer-to-Peer Network Using Bus Topology

Spare Computer2
Accounting Files (shared)
Marketing Files (shared)

Frank's Computer
Accounting System (shared)
Documents (private)

Spare Computer1
Accounting Files (shared)
Marketing Files (Shared)



Bob's Computer
Customer Proposals (private)
Marketing Software (shared)
Documents (private)

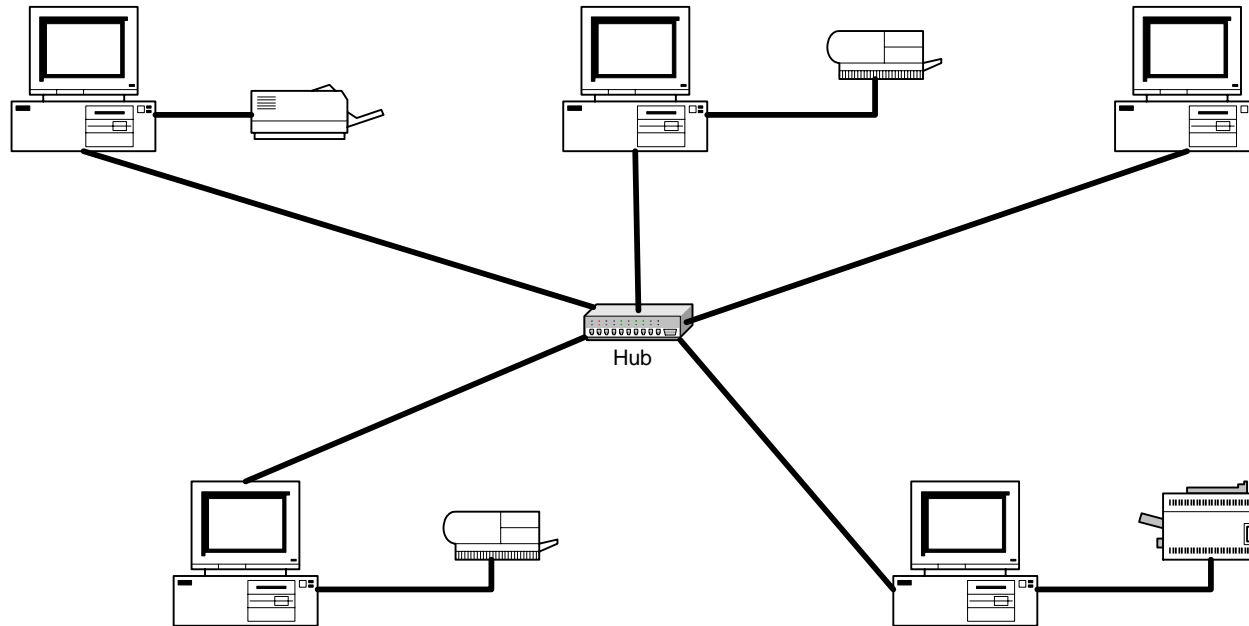
Betty's Computer
HR Software (private)
Employee reviews (private)
Documents (private)

Peer-to-Peer Network in Star Topology or Configuration Utilizing a Switch

Spare Computer2
Accounting Files (shared)
Marketing Files (shared)

Frank's Computer
Accounting System (shared)
Documents (private)

Spare Computer1
Accounting Files (shared)
Marketing Files (Shared)

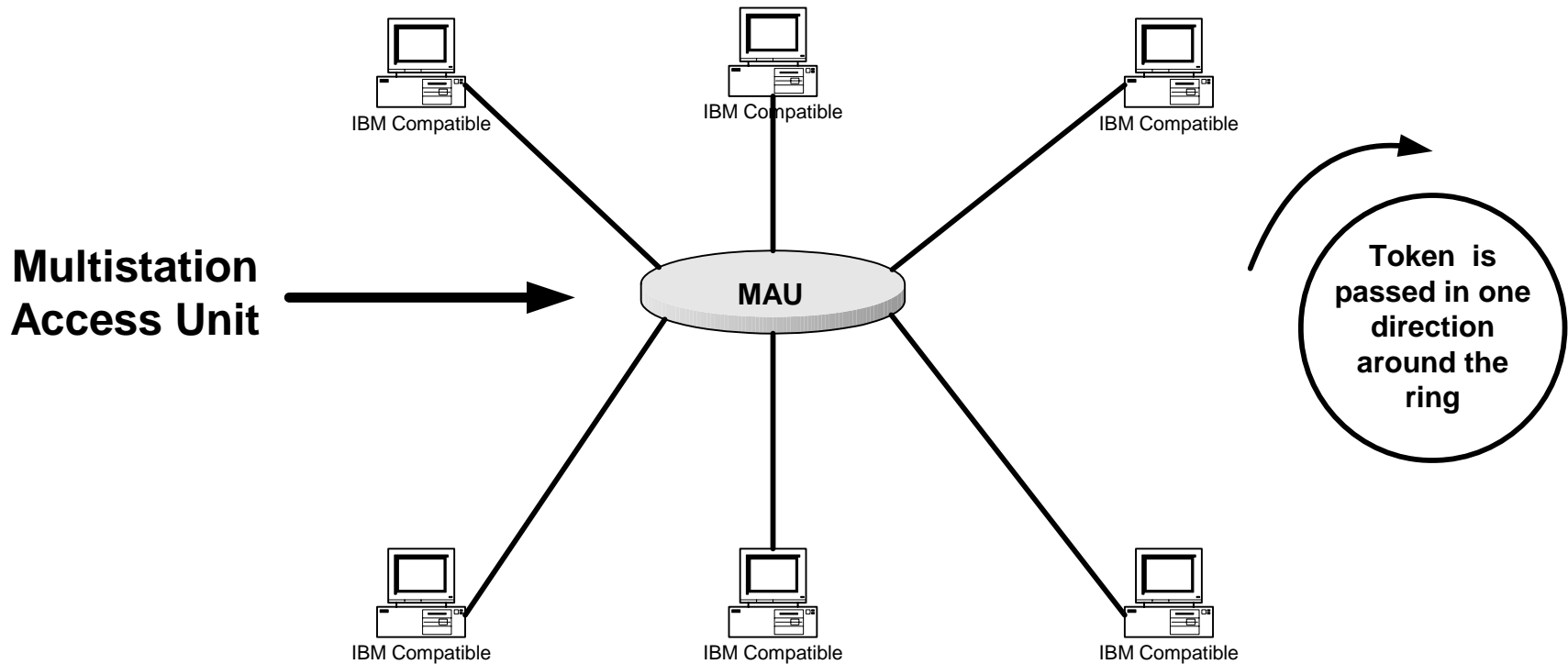


Bob's Computer
Customer Proposals (private)
Marketing Software (shared)
Documents (private)

Betty's Computer
HR Software (private)
Employee reviews (private)
Documents (private)

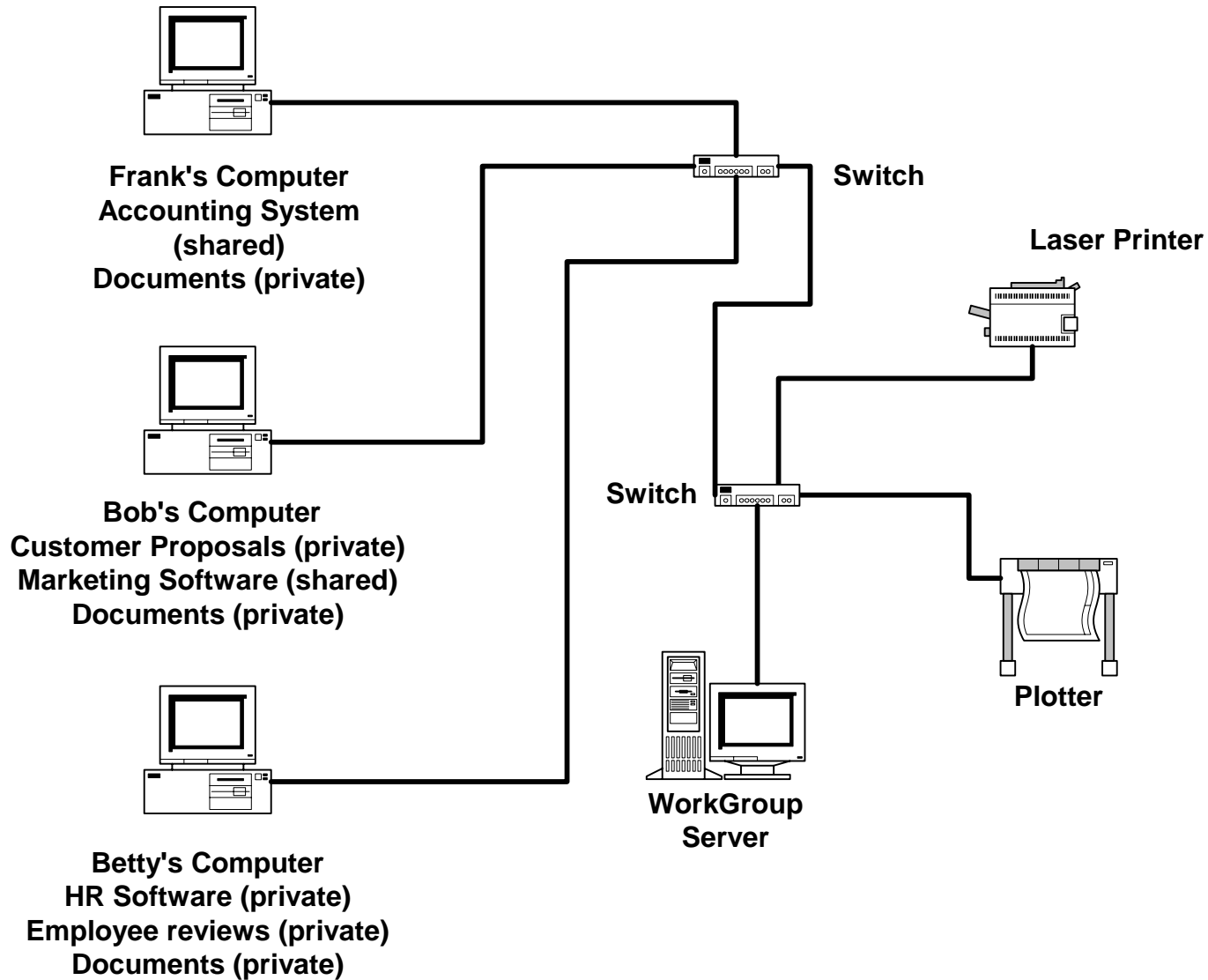
The IBM Token-Ring Peer-to-Peer Network

IBM's Token-Ring Operates As A Logical Ring inside the Multistation Access Unit

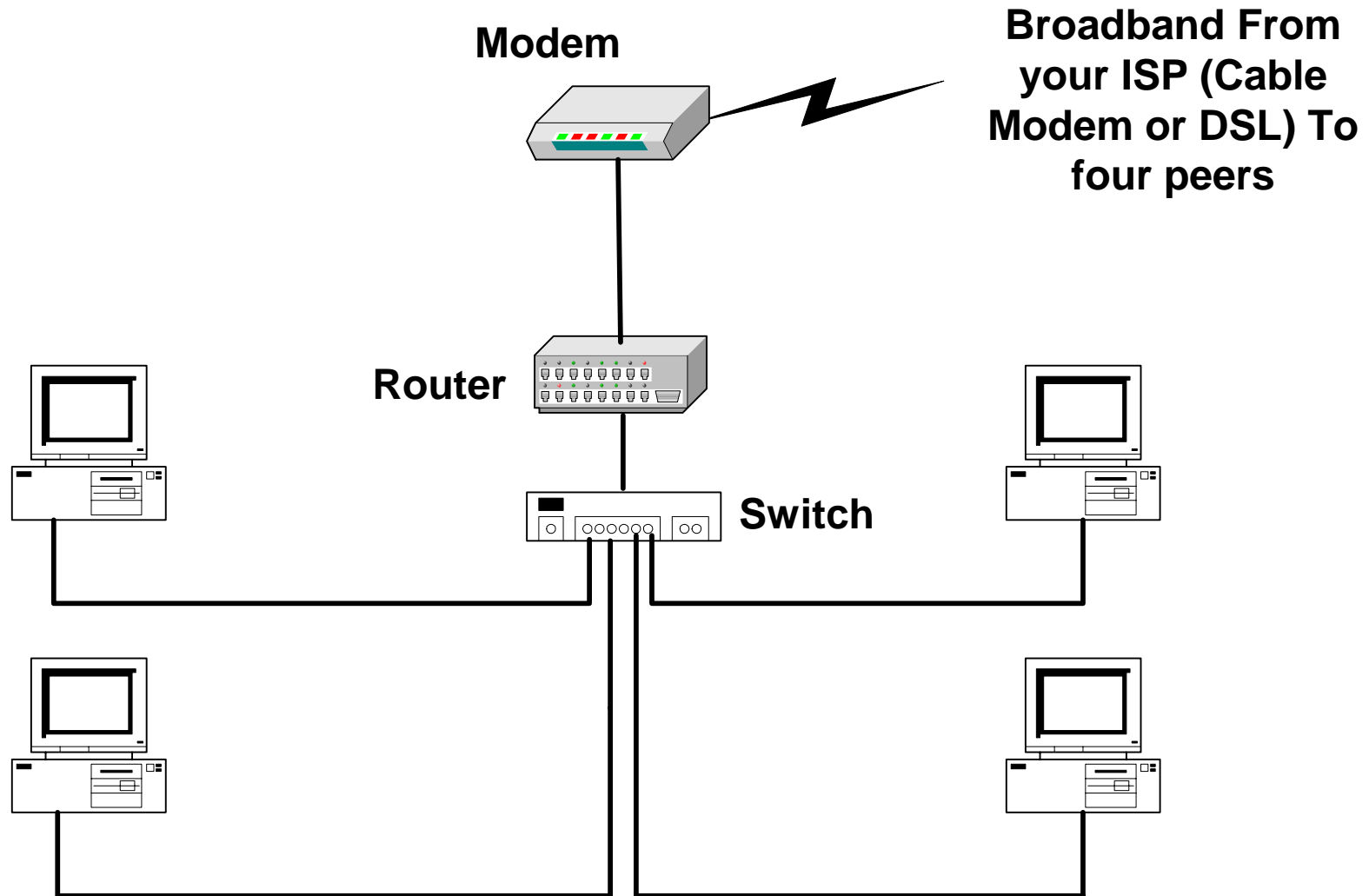


Basic Star Topology

Basic Client / Server Network with Shared Resources



Sharing a broadband connection with four peers on a peer-to-peer network



The Open System Interconnection Reference Model for Network Communication between Computers — Known as the OSI Model

