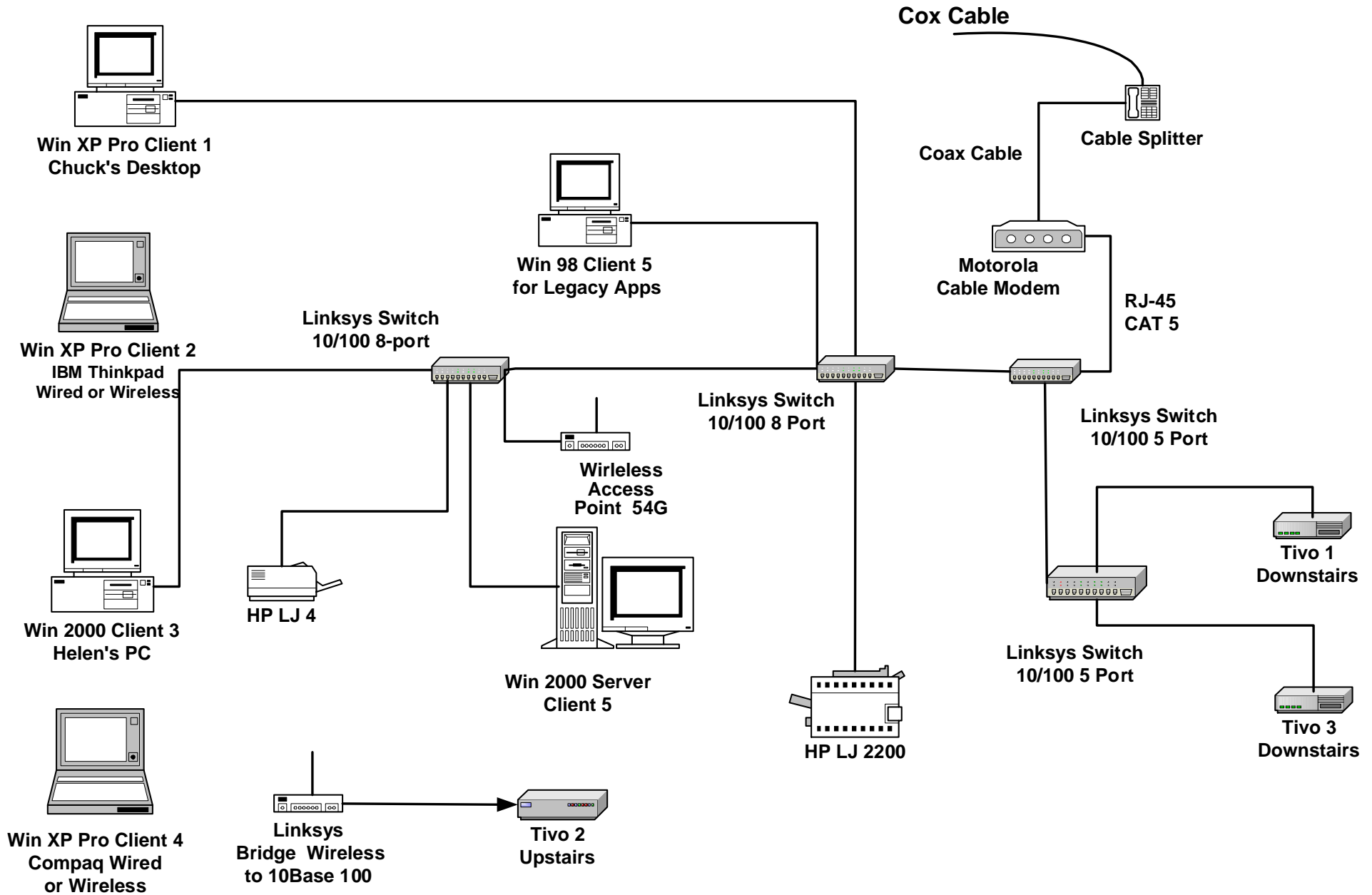


My HomeNet Network Configuration



Cox only supports dynamic IP addresses. Cable/DSL Router is 10 Mbs, everything on my network is 10/100. I do a lot of work with photos so I need to move large files quickly for work and back up so I use 100 Mbps net components. My printers are networked (not shared) via Jet Direct interfaces so they are available to all clients all the time.